

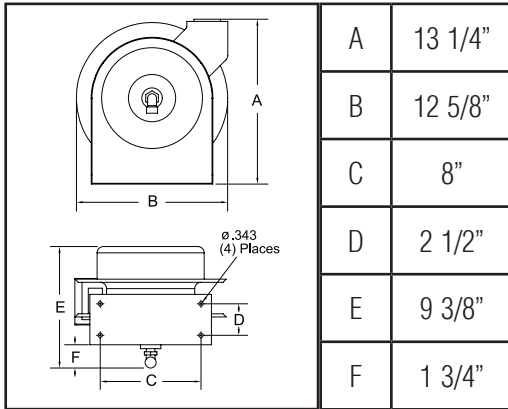
# Operating Instructions

## Series L 4000 Spring Driven Cord Reels

- |                                 |                                  |                                |                               |
|---------------------------------|----------------------------------|--------------------------------|-------------------------------|
| <a href="#">L 4035 163 3-RP</a> | <a href="#">L 4545 123 3A-RP</a> | <a href="#">L 4545 123 7AC</a> | <a href="#">L 4035 163 10</a> |
| <a href="#">L 4050 163 3</a>    | <a href="#">L 4545 123 3AC</a>   | <a href="#">L 4545 123 7B</a>  | <a href="#">L 4050 163 10</a> |
| <a href="#">L 4050 163 3-RP</a> | <a href="#">L 4545 123 3B</a>    | <a href="#">L 4545 123 7Q</a>  | <a href="#">L 4545 123 X</a>  |
| <a href="#">L 4545 123 3</a>    | <a href="#">L 4545 123 7</a>     | <a href="#">L 4050 163 9</a>   | <a href="#">L 4050 163 X</a>  |
| <a href="#">L 4545 123 3-RP</a> | <a href="#">L 4525 123 7A</a>    | <a href="#">L 4545 123 9</a>   | <a href="#">L 4500</a>        |
| <a href="#">L 4545 123 3A</a>   | <a href="#">L 4545 123 7A</a>    | <a href="#">L 4545 123 9G</a>  |                               |



### Dimensions



**IMPORTANT**

**Read this manual carefully before installing, operating or servicing this equipment.**

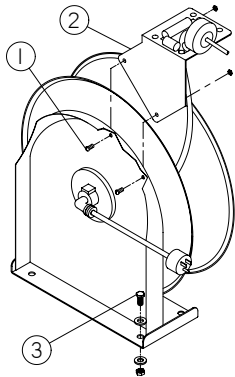
**WARNING: Even low voltage can cause irreparable damage or death! Exercise extreme caution while operating or servicing this equipment.**

### Safety Precautions

Personal injury and/or equipment damage may result if proper safety precautions are not observed.

- Ensure that only a qualified electrician installs/services this equipment.
- Ensure that power supply voltage does not exceed maximum voltage rating of reel.
- Ensure that reel is properly installed before connecting to power supply.
- All cord reels with flying leads must be hard wired to ensure proper function.
- Ensure that all electrical power is removed from reel before servicing.
- A high-tension spring assembly is contained within the reel. Exercise extreme caution.
- Check for frayed and/or broken wires before each use. Pull electrical cord from reel by grasping the electrical cord itself, not the work device.
- If an electrical malfunction should occur, remove power from reel immediately.
- Ensure that reel, electrical cord, and equipment being serviced are properly grounded. Use an ohmmeter to check ground continuity.
- If reel ceases to unwind or rewind, remove power immediately. Do not pull or jerk on electrical cord!
- Treat and respect the reel as any other piece of machinery, observing all common safety practices.

### Installation Instructions



#### Mounting

**CAUTION:** Unless reel was specified differently when ordering, maximum installation height is 16 feet. Do not exceed this distance. Ensure that only a qualified electrician installs/services this equipment. Installation of GFCI cord reels should be performed by a qualified and licensed professional in accordance with building codes and applicable NEC standards.

1. Unpack and inspect reel for damage. Turn by hand to check for smooth operation. Check for completeness.
2. Configure reel for top, side or bottom-wind (bottom-wind for constant tension reels only) electrical cord dispensing by removing bolts (1), securing guide arm bracket (2). Determine new guide arm location and remove corresponding bolts. Position guide arm bracket to reel and replace bolts.
3. Position reel on floor, wall, or ceiling. Secure into place, using four (customer supplied) screws or bolts (3).

Form# 542-290 Rev: 2/2026



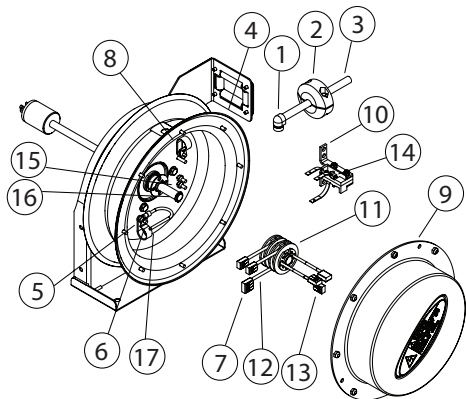
### Service Instructions

Maintain reel by following the service instructions given below. Refer all other repairs, other than those listed, only to an authorized service person or directly to Reelcraft. Failure to do so can result in personal injury and/or equipment damage and may void the warranty (refer to page 5 when referencing parts).

**WARNING:** Remove power from reel before performing any of the following procedures.

### Replacing the Output Electrical Cord/Work Device

**WARNING:** Use extreme caution, reel under tension. Avoid releasing latch mechanism.



1. Pull output electrical cord from reel until fully extended, then latch.
2. Remove output electrical bumper stop (2).
3. Disconnect output electrical cord/work device (3) at splicing connectors (7).
4. Remove strain relief (1). Remove output electrical cord/work device.
5. Install replacement electrical cord/work device by reversing steps 2 through 4.
6. Release latch and rewind electrical cord onto reel.
7. Replace access cover (9).

### Replacing the Input Electrical Cord

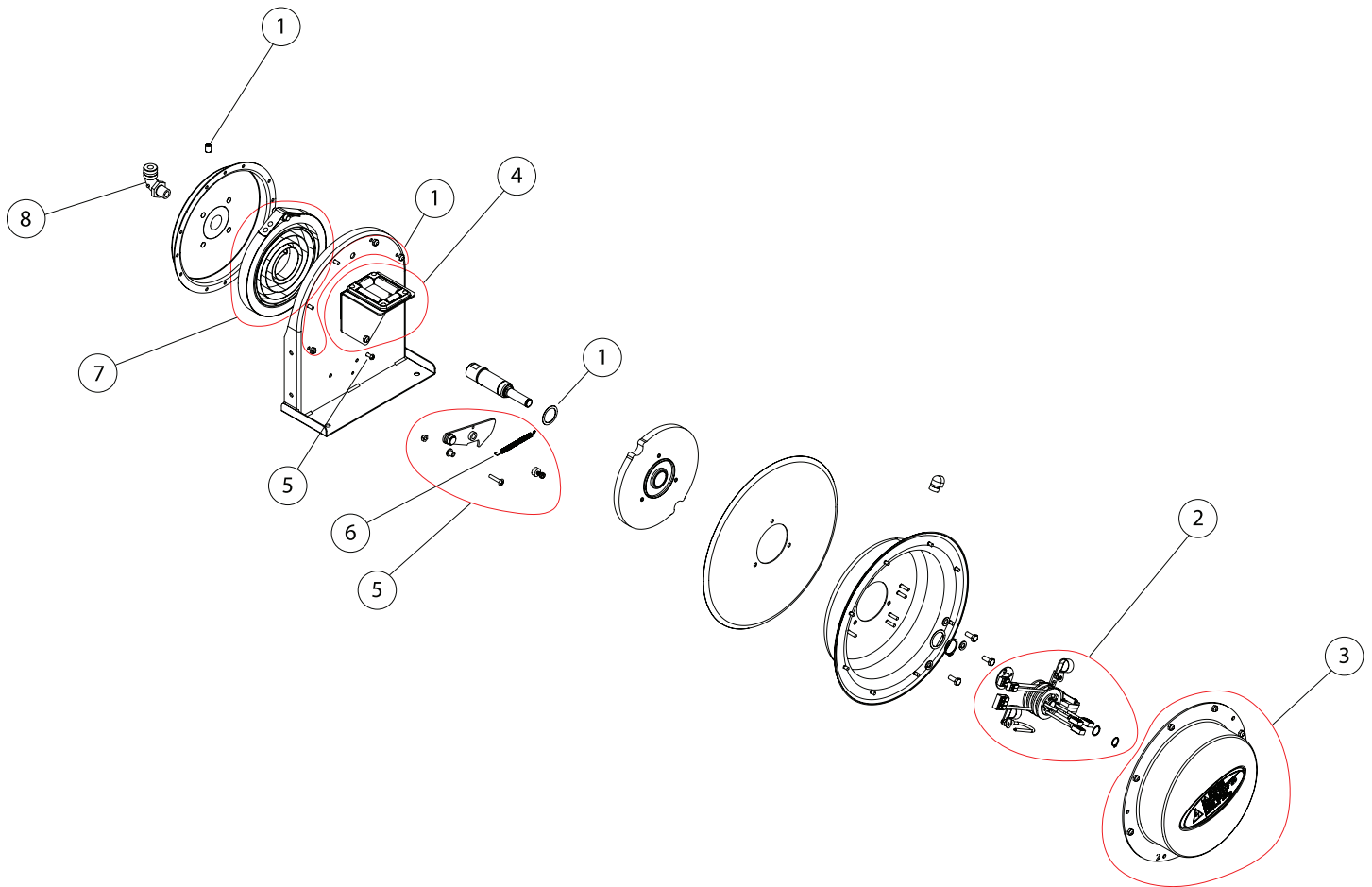
1. Remove splicing connectors (15) securing input electrical cord to collector assembly (10).
2. Remove 90 degree elbow (not pictured).
3. Remove input electrical cord.
4. Remove 11" of outer jacket from replacement input electrical cord (input electrical cord wires must protrude a minimum of 6" from center of collector assembly).
5. Install replacement input electrical cord by reversing steps 1 through 3.
6. Replace access cover (9).

### Replacing the Brush Holder/Brushes

1. At splicing connectors (7), remove wires connecting brushes (3) to outlet wire.
2. Remove nuts holding brush holder (10) to reel. Relocate cable clamp (8) temporarily and remove brush holder (10).
3. Remove brushes from brush holder (10).
4. Install replacement brush holder (10) and brushes (12) by reversing steps 1 through 3. Upon completion of installation, ensure good contact between new brush installation and ring.

### Replacing the Collector Assembly

1. Remove splicing connectors (13) securing input electrical cord to collector assembly.
2. At splicing connectors (7), disconnect wires (11) connecting brushes (12) to splicing connectors.
3. Remove lock nuts securing brush holder (10) to reel. Relocate cable clamp temporarily and remove brush holder.
4. Remove snap ring (16).
5. Remove collector assembly (14).
6. Install replacement collector assembly by reversing steps 1 through 5. Upon completion of installation, ensure good contact between new brush installation and ring.
7. Replace access cover (9).



**Service Kits - General**

ITEM	DESCRIPTION	QTY.	PART #	ITEM	DESCRIPTION	QTY.	PART #
1	HARDWARE KIT	1	S603005	3	COVER WITH HARDWARE	1	S261723
	RETAINING RING (1" OD SHAFT x .042" THICK)	1			PLASTIC COVER	1	
	WASHER (1.312" OD X 1.005" ID x .020" THICK)	2			10-32 x 1/2" NYLON LOCK NUT	8	
	3/8-16 x 1/2" SET SCREW	1		4	GUIDE ARM ASSEMBLY WITH HARDWARE	1	S400017
	10-32 x 1/2" MACHINE SCREW	7			GUIDE ARM ASSEMBLY	1	
	10-32 x 1/2" NYLON LOCK NUT	21			10-32 x 1/2" MACHINE SCREW	2	
2	COLLECTOR RING ASSEMBLY WITH HARDWARE	1	S602296		10-32 x 1/2" NYLON LOCK NUT	2	
	ADAPTER PLATE	1		5	LATCH PLATE ASSEMBLY WITH HARDWARE	1	S602990
	CABLE CLAMP	1			10-32 x 1/2" MACHINE SCREW	1	
	SPACING WASHER	1			10-32 x 1" MACHINE SCREW	1	
	3-PORT SPLICING CONNECTOR	1			LATCH BUSHING	1	
	2-PORT SPLICING CONNECTOR	5			LATCH SPRING	1	
	GROUNDING CORD ASSEMBLY	1			LATCH BUMPER	1	
	COLLECTOR AND SLIP RING ASSEMBLY (3 CONDUCTOR)	1			LATCH PLATE ASSEMBLY	1	
	10-32 x 1/2" NYLON LOCK NUT	5			10-24 x 3/8" SELF TAPPING SCREW	1	
	#10 LOCK WASHER	1			10-32 x 1/2" NYLON LOCK NUT	2	
	.551 EXTERNAL SNAP RING	1		6	LATCH SPRING	1	S400018
	WIRE TIE	1					

## Series L 4000 Spring Driven Cord Reels

### Service Kits - Model Specific

ITEM	DESCRIPTION	QTY.	<b>L 4035 163 3-RP</b>	<b>L 4050 163 3</b>	<b>L 4050 163 3-RP</b>	<b>L 4545 123 3</b>	<b>L 4545 123 3-RP</b>
7	DRIVE SPRING ASSEMBLY	1	S400030	S400030	S400030	S400030	S400030
8	INLET STRAIN RELIEF	1	S261140-1-C	S261140-1-C	S261140-1-C	S261140-C	S261140-C
---	INLET CORD ASSEMBLY	1	S602643	S260517	S602643	S260630	S602627
---	OUTLET CORD ASSEMBLY	1	S602626-35	S600209	S602626-50	S600251-45	S602644-45
---	BUMPER STOP ASSEMBLY	1	<a href="#">S600193</a>	<a href="#">S600193</a>	<a href="#">S600193</a>	<a href="#">S1-HR1004-A</a>	<a href="#">S1-HR1004-A</a>

ITEM	DESCRIPTION	QTY.	<b>L 4545 123 3A</b>	<b>L 4545 123 3A-RP</b>	<b>L 4545 123 3AC</b>	<b>L 4545 123 3B</b>	<b>L 4545 123 7</b>
7	DRIVE SPRING ASSEMBLY	1	S400030	S400030	S400030	S400030	S602865-44
8	INLET STRAIN RELIEF	1	S261140-C	S261140-C	S261140-C	S261140-C	S261140-C
---	INLET CORD ASSEMBLY	1	S602002	S602628	S602785	S602002	S260630
---	OUTLET CORD ASSEMBLY	1	S602003-45	S602629-45	S602003-45	S602004	S602332-45
---	BUMPER STOP ASSEMBLY	1	<a href="#">S1-HR1004-A</a>	<a href="#">S1-HR1004-A</a>	<a href="#">S1-HR1004-A</a>	<a href="#">S1-HR1004-A</a>	<a href="#">S1-HR1004-A</a>

ITEM	DESCRIPTION	QTY.	<b>L 4525 123 7A</b>	<b>L 4545 123 7A</b>	<b>L 4545 123 7AC</b>	<b>L 4545 123 7B</b>	<b>L 4545 123 7Q</b>
7	DRIVE SPRING ASSEMBLY	1	S400030	S602865-44	S400030	S602865-44	S602865-44
8	INLET STRAIN RELIEF	1	S261140-C	S261140-C	S261140-C	S261140-C	S261140-C
---	INLET CORD ASSEMBLY	1	S602002	S602002	S602785	S602002	S602002
---	OUTLET CORD ASSEMBLY	1	S60233-25	S602333-45	S602333-45	S602255-45	S602813-45
---	BUMPER STOP ASSEMBLY	1	<a href="#">S1-HR1004-A</a>	<a href="#">S1-HR1004-A</a>	<a href="#">S1-HR1004-A</a>	<a href="#">S1-HR1004-A</a>	<a href="#">S1-HR1004-A</a>

ITEM	DESCRIPTION	QTY.	<b>L 4050 163 9</b>	<b>L 4545 123 9</b>	<b>L 4545 123 9G</b>	<b>L 4035 163 10</b>	<b>L 4050 163 10</b>
7	DRIVE SPRING ASSEMBLY	1	S400030	S400030	S602865-44	S400030	S400030
8	INLET STRAIN RELIEF	1	S261140-1-C	S261140-C	S261140-C	S261140-1-C	S261140-1-C
---	INLET CORD ASSEMBLY	1	S260517	S260630	S260630	S260517	S260517
---	OUTLET CORD ASSEMBLY	1	S602496	S602498	S602497	S602473-35	S602473-50
---	BUMPER STOP ASSEMBLY	1	<a href="#">S600193</a>	<a href="#">S1-HR1004-A</a>	<a href="#">S1-HR1004-A</a>	<a href="#">S600193</a>	<a href="#">S600193</a>

ITEM	DESCRIPTION	QTY.	<b>L 4545 123 X</b>	<b>L 4050 163 X</b>	<b>L 4500</b>
7	DRIVE SPRING ASSEMBLY	1	S400030	S400030	S400030
8	INLET STRAIN RELIEF	1	S262293	S262293	NONE
---	INLET CORD ASSEMBLY	1	S262307	S262306	NONE
---	OUTLET CORD ASSEMBLY	1	S602353-45	S260952-50	NONE
---	BUMPER STOP ASSEMBLY	1	<a href="#">S1-HR1004-A</a>	<a href="#">S600193</a>	NONE